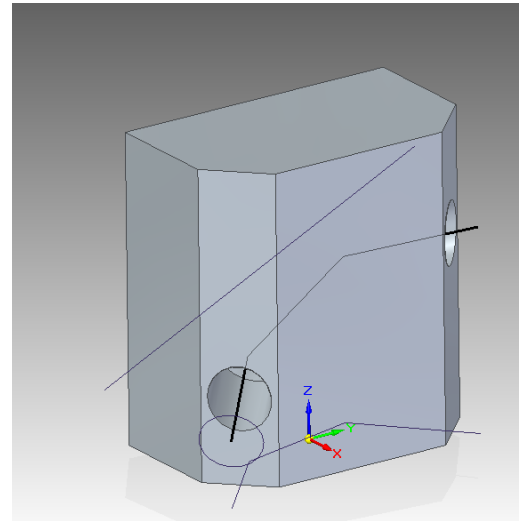
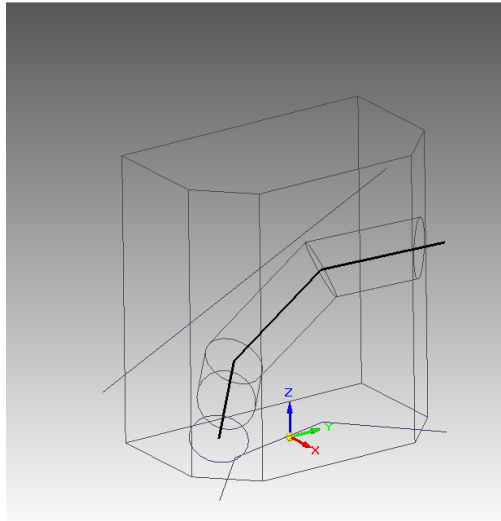
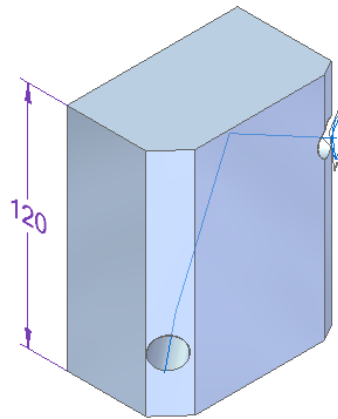


## Swept Cutout Through Next Workflow

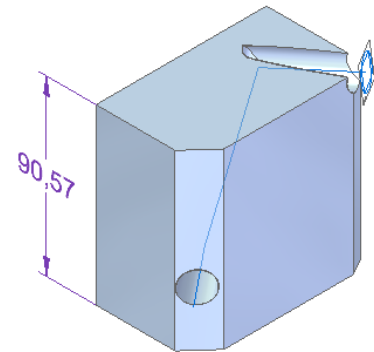
*This Tech Tip will look at how it is possible to cut a protrusion starting from the top of the solid body through an existing swept cutout feature.*



Create the protrusion larger than the entire path of the cutout. The extra length will be removed in the last step of the workflow.



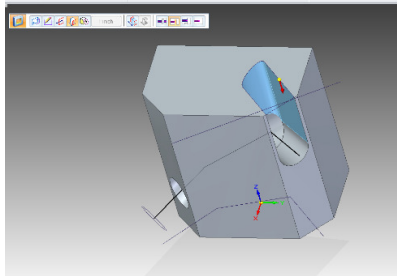
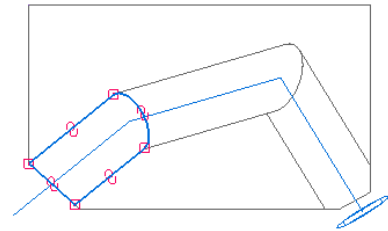
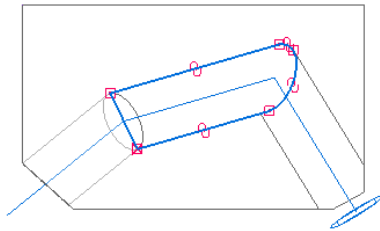
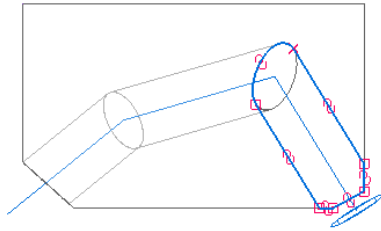
**Created Height**



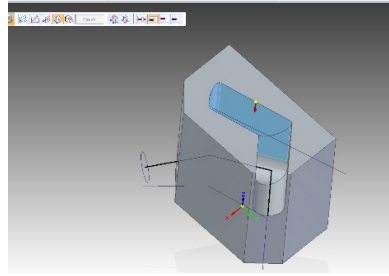
**Actual Height**

Create cutouts that describe the path by projected edges on sketch of the swept cutout. Each of the cutout feature's extents is set to "through next".

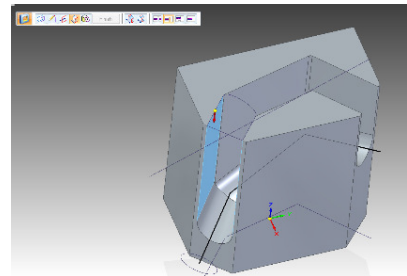
**Note:** The following steps could have been done with a single cutout, but this worked well too.



**Cutout 1**

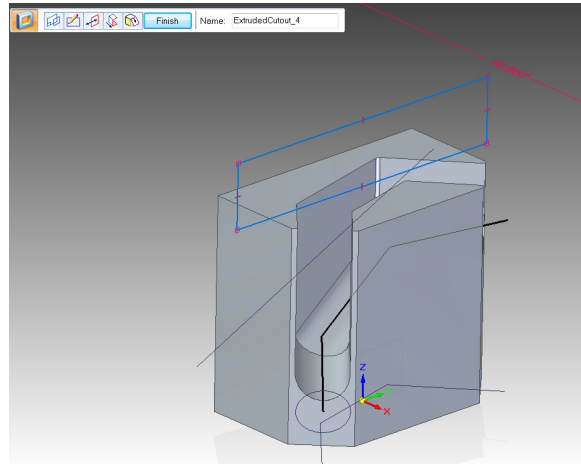


**Cutout 2**



**Cutout 3**

Create a cutout that reduces the size of the shape to the desired height:



Giving the final result:

