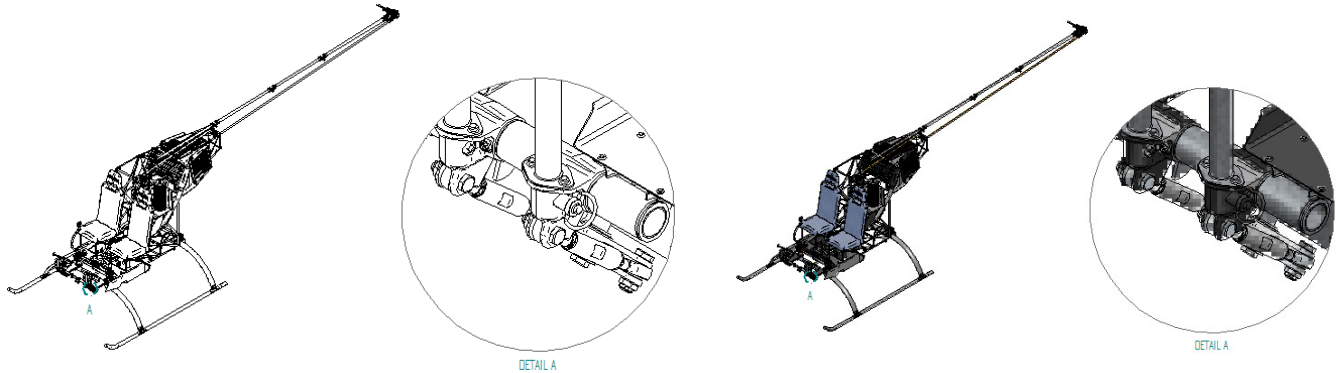


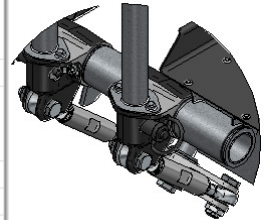
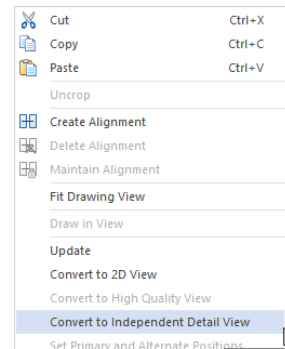
## Getting a clear detail view image

*This Tech Tip looks at how image quality can be improved on detail views that are at a much larger scale.*

Sometimes you may have a drawing view of a model that is large and you will need to create the initial view at a scale of, say, 1:10 or 1:20. You may then want to create a detail view to highlight certain areas of the model, which then take the scale up to an effective 1:50 or 1:100. When the model is displayed as wireframe, the images can be acceptable, but once you convert the view to shaded, the quality becomes very poor.



This can be overcome by right clicking on the detail view and selecting "Convert to Independent Detail View", which allows the definition of the view to be derived from the original model, not as a variation of the view it is drawn from. This means that, for example, the view scale then becomes a scale of 1:1 and not 1:50.



Another benefit of this option is that the display of the detail view can be controlled by itself and not be dependent on the view it is derived from. For example, the main view can be set to "not shaded", whereas the detail view can be set to shaded.