

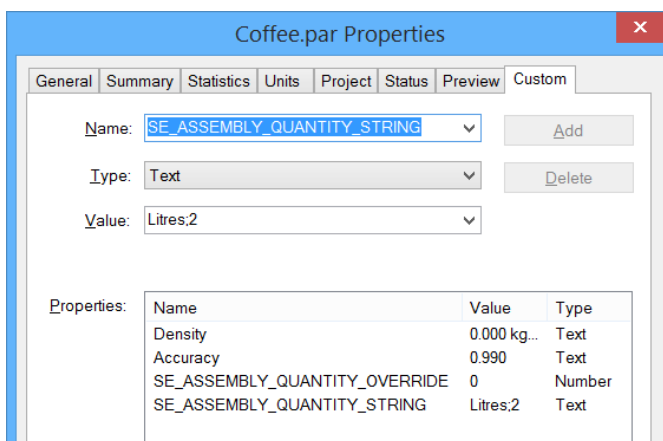
Changing Parts List Units

This Tech Tip will look at how to change the quantity to a defined value.

Create a part that uses units and values

This procedure shows how to define custom properties for a part that requires units and a value of those units. For example, you may require a part to display as 4 litres of oil in a parts list. Although no 3D model is required for these parts, this process can be applied to a part with or without a model.

1. In the part document, choose Application menu, properties, File Properties to open the Properties Dialog Box.
2. In the Name box on the Custom tab, type "SE_ASSEMBLY_QUANTITY_OVERRIDE"
3. In the Type box, select "Number" from the list.
4. In the Value box, type 0 (zero) and then click the Add button
5. In the Name box on the Custom tab, type "SE_ASSEMBLY_QUANTITY_STRING"
6. In the Type box, select "Text" from the list.
7. In the Value box, type the unit and number of decimal places you want. For example, Liters;4. Then click the Add button.

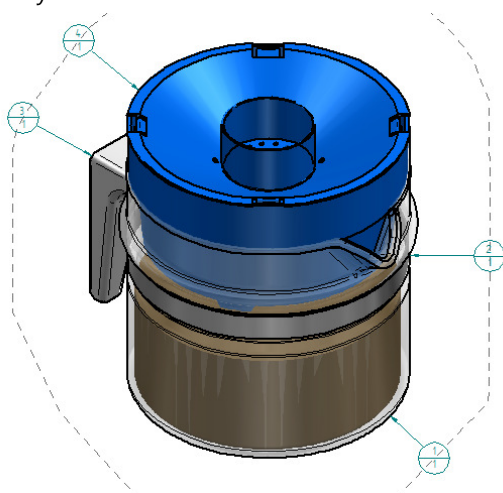


Note: you must separate the unit and number of decimal places with a semi-colon (;)

To use the custom properties:

1. Place the part into the assembly.
2. Select the part in the PathFinder, right mouse click and choose Occurrence Properties from the shortcut menu.
3. In the dialog box, type the quantity value in the quantity cell for the occurrence. Notice that the unit value you have specified in the part document is displayed in the User-defined Quantity column.

Placement Name	Filename	User-Defined Quantity	Quantity
Coffee.par:1	Coffee.par	Litres	1.5



Item Number	File Name no extension	Author	Quantity
1	Coffee Pot	rkniggs	1
2	Strap Handle	rkniggs	1
3	handle	rkniggs	1
4	strainer	rkniggs	1
5*	Coffee	Alan	150 Litres