

Restructuring Assemblies

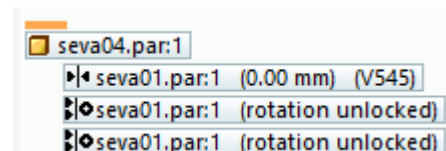
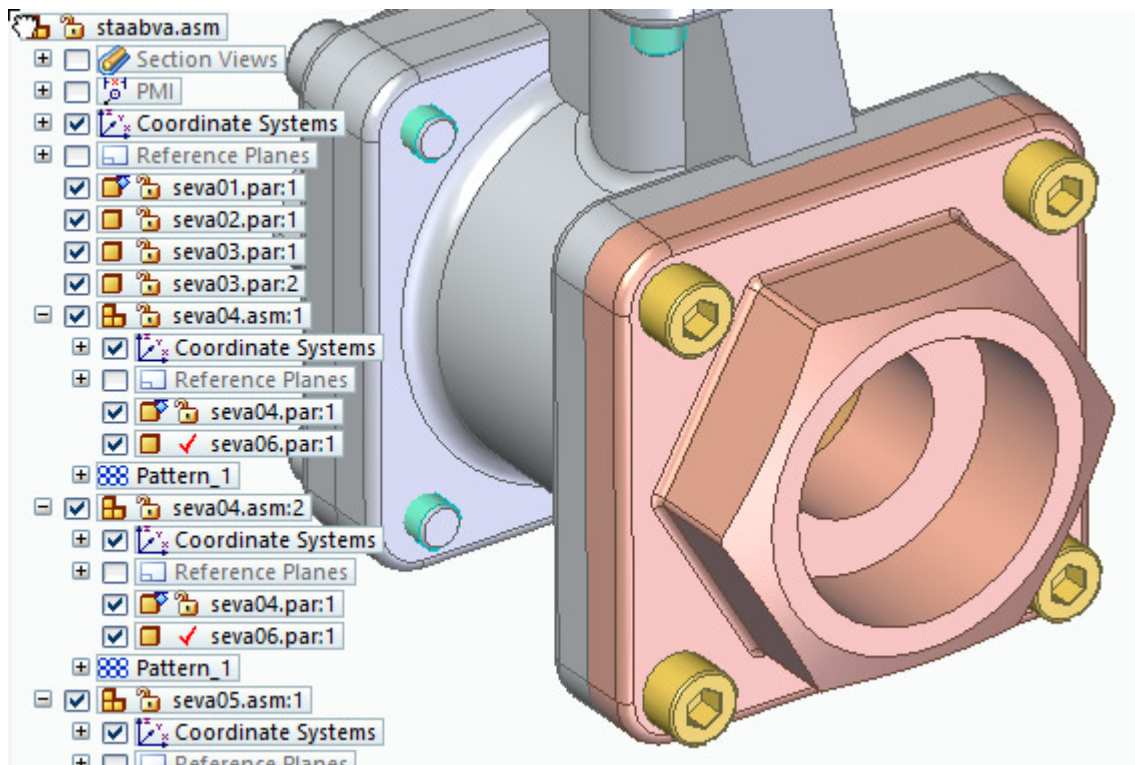
This Tech Tip looks at some tools in Solid Edge to aid you in restructuring your assemblies by disassembling sub-assemblies or creating new ones.

When building an assembly, the structure of it may change as the design progresses, with sub-assemblies being required or dropped due to manufacturing processes, ease of duplicating sets of parts, etc.


Rather than having to delete parts or sub-assemblies, Solid Edge offers tools to Transfer (parts into sub-assemblies) or Disperse (parts up a level in the assembly structure).

Disperse

In this example there is a sub-assembly called seva04.asm that contains the end plate (seva04.par), shown as copper coloured and the 4 brass coloured bolts.



Before the change, we can see relationships have been used to constrain the end plate to the main block.

To move these parts from the sub-assembly to the main assembly, select the sub-assembly in the pathfinder and then select the Disperse command  (this will not be active until the sub-assembly is selected). If there is more than one occurrence of the sub-assembly, you will be asked if you want to break up just the selected assembly or all occurrences.

